



**MACO**

**MACO d.o.o.e.l.**  
Ul. porta Vlae 1B, Zgrada br.1  
Skopje, Severna Macedonia

**ALL FOR CONSTRUCTION**  
Сите за изградба

## LANOS ME 40H-VIO/crawler excavator



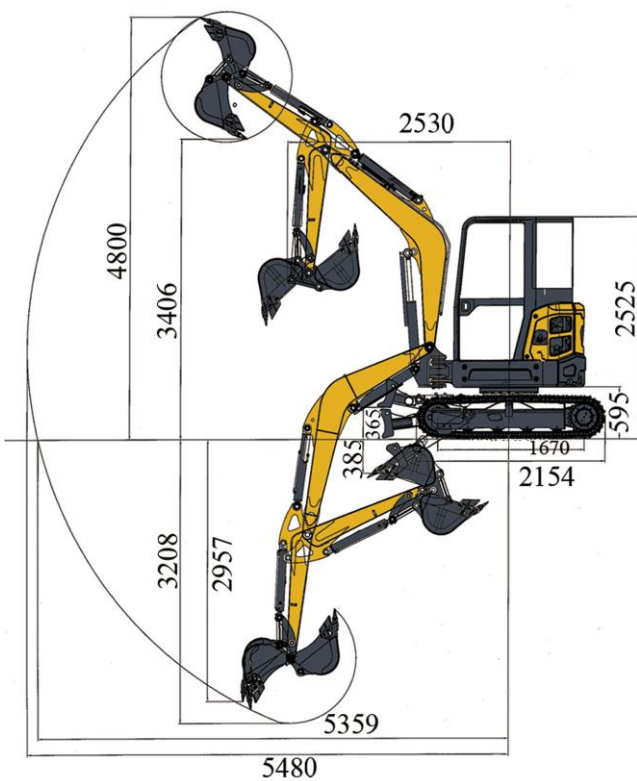
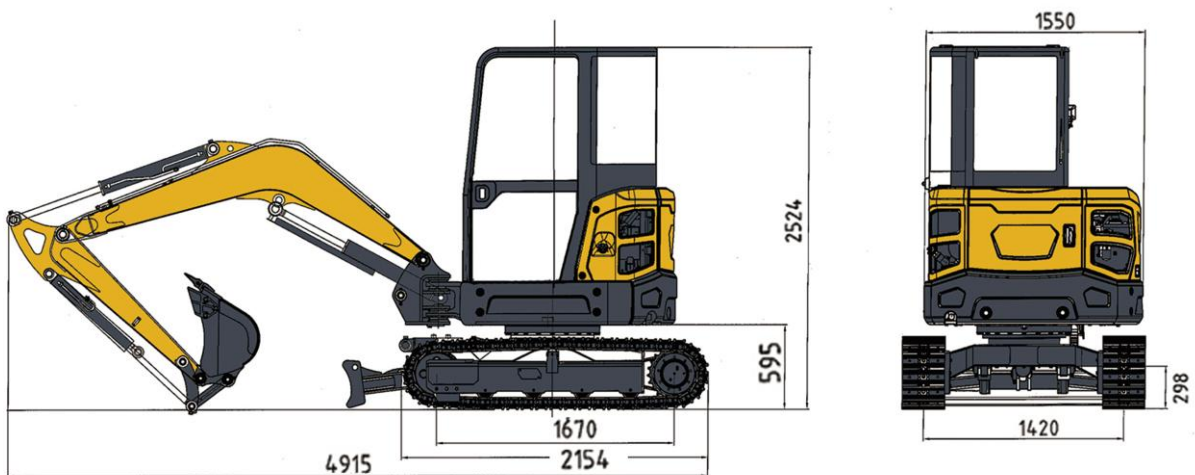


**MACO**

**MACO d.o.o.e.l.**  
Ul. porta Vlae 1B, Zgrada br.1  
Skopje, Severna Makedonia

**ALL FOR CONSTRUCTION**  
Сите за изградба

## DIMENSIONS:



**MACO****MACO d.o.o.e.l.**  
Ul. porta Vlae 1B, Zgrada br.1  
Skopje, Severna Macedonia**ALL FOR CONSTRUCTION**  
Сите за изградба

## TECHNICAL DATA:

### ENGINE

Make/Model KUBOTA/D1703 Power/Rotation speed 18.5kw(25HP)@2200rpm  
Cylinder 3 Type In-line, water cooled, 4-stroke  
Max.torque 97.4N.m/1500rpm Displacement 1.642L

### TRACK DRIVING SYSTEM

Max Travel speed(High/low) 4.4/2.4km/h Width of steel track shoe 300mm  
Carrier roller(Each side) 1 Supporting roller(Each side) 4

### PERFORMANCE PARAMETER

Standard Bucket capacity 0.12m<sup>3</sup> Swing speed 12rpm  
Max Grade ability 58%(30°) Ground pressure 32Kpa  
Max Bucket digging force 30.4KN Max Arm digging force 18.2KN  
Hydraulic system pressure 22.5Mpa Machine weight 3810kg  
Boom length 2535mm Arm length 1400mm  
Fuel tank capacity 40L Hydraulic oil tank capacity 44L  
Engine oil capacity 7L Radiator capacity 3.8L  
Final drive 2\*0.7L

### MACHINE SIZE

Overall dimension (L\*W\*H) 4915mm\*1720mm\*2525mm Axle base(Track length on ground) 1670mm  
Length of rubber track 2154mm Track gauge 1420mm  
Min Ground clearance 295mm Swing radius at tail 860mm  
Swing radius at front 2538mm Height of blade 350mm

### WORKING RANGE

Max Digging height 4800mm Max Dumping height 3406mm  
Max Digging depth 3208mm Max Vertical digging depth 2957mm  
Max Digging distance(working radius) 5480mm Max digging distance (on ground) 5359mm  
Min swing radius 2530mm Max. height when min.swing radius 3655mm  
Max Lifting height of blade 365mm Max Cutting depth of blade 385mm  
Boom swing angle(Left/Right) 55°/65°