



**MACO**

**MACO d.o.o.e.l.**  
Ul. porta Vlae 1B, Zgrada br.1  
Skopje, Severna Macedonia

**ALL FOR CONSTRUCTION**  
Сите за изградба

## EXCAVATOR LANOS E 80H





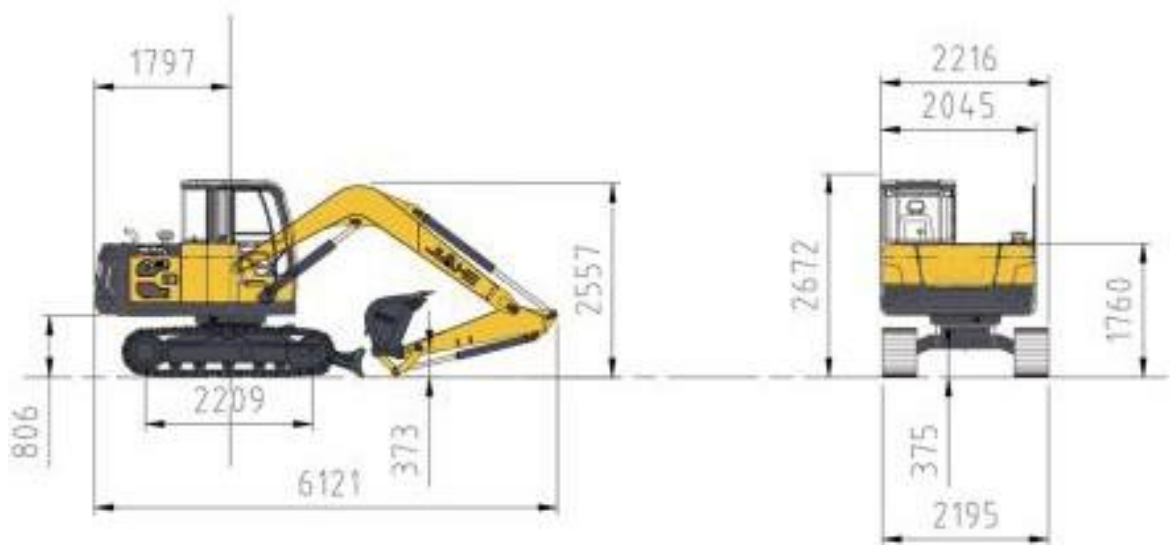
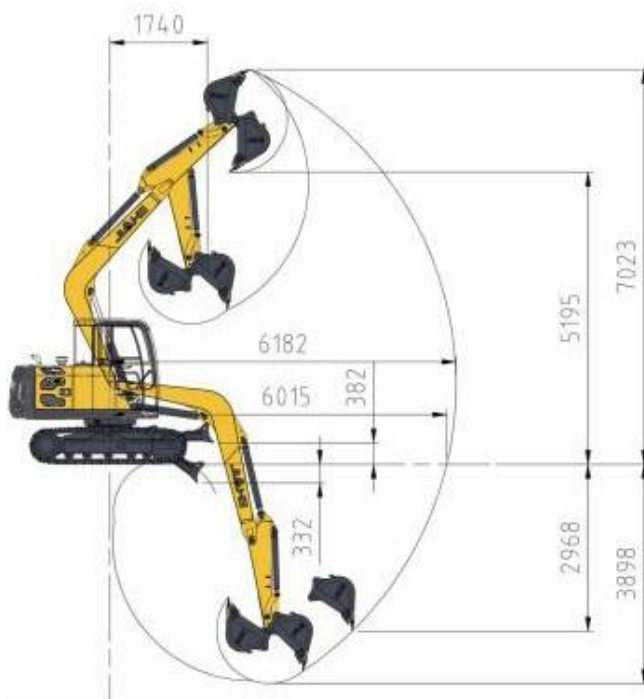
**MACO**

**MACO d.o.o.e.l.**


Ul. porta Vlae 1B, Zgrada br.1  
Skopje, Severna Macedonia

**ALL FOR CONSTRUCTION**

Сите за изградба



**MACO d.o.o.e.l | Ul. Porta Vlae 1B | Zgrada br. 1 | Skopje | Makedonija**

Mobi: +389 76 208 977 | Mobi -  +386 51 214 008 | e-mail: [macodg@t-home.mk](mailto:macodg@t-home.mk)

**MACO****MACO d.o.o.e.l.**  
Ul. porta Vlae 1B, Zgrada br.1  
Skopje, Severna Macedonia**ALL FOR CONSTRUCTION**  
Сите за изградба**EQUIPMENT:**

- Bucket 720 mm
- Central lubrication
- Hid. Installations for hid. Hammer
- Hid. Installation for roto tilt
- Hid. Installation for quick coupler
- Hid. Installation for power tilt

**TOOLS:**

- Bucket 500 mm
- Bucket 1000 mm (grading)
- Power tilt
- Hydraulic hammer
- Vibratory plate
- Rock grab with rotor
- Rubber blocks

**TECHNICAL DATA****SPECIFICATIONES**

Bucket Capacity	0.28
Swing Speed	0-11
Gradeability	35
Max.Bucket Digging Force	56
Max.Arm Digging Force	38
Engine Model	4TNV94
Power/revolution speed	35.9/2100
Tire Model	-
System Pressure	27
Dimension Length*Width*Height	6121x2216x2672
Cabin Height	2672
Axle Base	2209
Wheel(track) Distance	1745
Minimum ground clearance	375
Tail Swing Radius	1797
Max.Digging Height	7023
Max.Dumping Height	5195
Max.Digging Depth	3898
Max.Vertical Digging Depth	2968
Max.Digging Radius	6182
Min.Swing Radius	1740
) Max.Dozer Blade Lifting Distance	382
) Max.Dozer Blade Cutting Distance	332



**MACO**

**MACO d.o.o.e.l.**  
Ul. porta Vlae 1B, Zgrada br.1  
Skopje, Severna Macedonia

**ALL FOR CONSTRUCTION**  
Сите за изградба