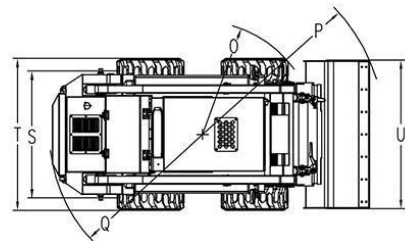
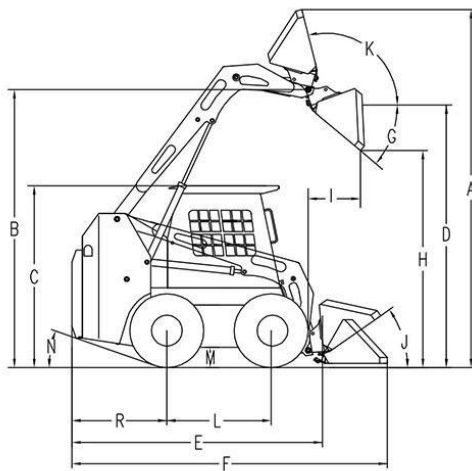


JC120 Skid Steer Loader

 Hydraulic control, high-flow pump, high-low speed, closed cab, A/C.



	Model	JC120
Performance	Operating weight(kg)	3900
	Rated load(kg)	1500
	Bucket capacity(m ³)	0.6
	Max Speed(km/h)	46374

	Max traction(kN)	>32
	Max breakout(kN)	≥22
	Lifting time of boom(s)	7
Engine	Manufacturer	Weichai
	Model	WP4.1
	Rated power (kW/rpm)	103/2300
	Engine displacement(L)	4.088
	Emission Standard	Stage 3
Dimension	A. Overall operating height(mm)	4290
	B. Height to bucket hinge pin(mm)	3278
	C. Height to top of cab(mm)	2160
	D. Height to bottom of level bucket(mm)	2983
	E. Without bucket length(mm)	3023
	F. Overall length with bucket(mm)	3795
	G. Dumping angle at maximum height(°)	40
	H. Dumping height(mm)	2500
	I. Dumping reach(mm)	700
	J. Rollback of bucket on ground(°)	30
	K. Rollback of bucket at full height(°)	104
	L. Wheelbase(mm)	1185
	M. Ground clearance(mm)	205
	N. Angle of departure(°)	20
	O. Front turning radius without bucket(mm)	1278
	P. Front tuning radius(mm)	2144
	Q. Rear tuning radius(mm)	1857
	R. Rear axle to bumper(mm)	1082
	S. Tread width(mm)	1500
	T. Width (mm)	1880
U. Bucket width(mm)	1880	