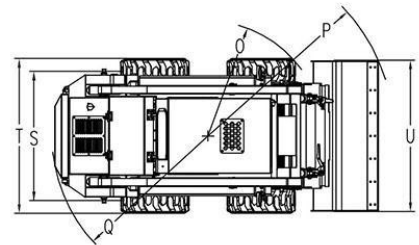
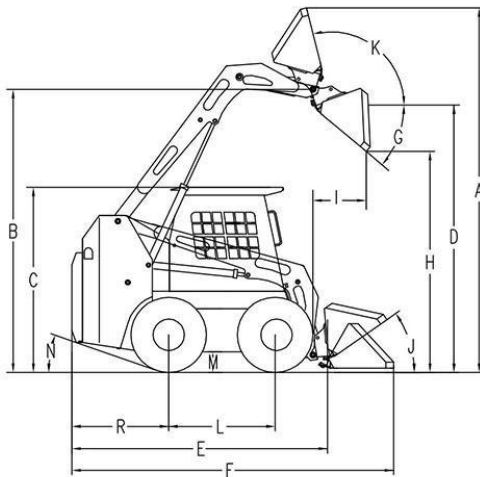


JC25 Skid Steer Loader

 Hydraulic /Pilot control, open operator cab



	Model	JC25
Performance	Operating weight(kg)	1460
	Rated load(kg)	380
	Bucket capacity(m ³)	0.2
	Max Speed(km/h)	9
	Max traction(kN)	≥12

	Max breakout(kN)	≥7.3
	Lifting time of boom(s)	7
Engine	Manufacturer	Kubota
	Model	D1105
	Rated power (kW/rpm)	18.2/3000
	Engine displacement(L)	1.123
	Emission Standard	Euro5/EPA4
Dimension	A. Overall operating height(mm)	3400
	B. Height to bucket hinge pin(mm)	2500
	C. Height to top of cab(mm)	1813
	D. Height to bottom of level bucket(mm)	2446
	E. Without bucket length(mm)	2200
	F. Overall length with bucket(mm)	2950
	G. Dumping angle at maximum height(°)	40
	H. Dumping height(mm)	2000
	I. Dumping reach(mm)	441
	J. Rollback of bucket on ground(°)	30
	K. Rollback of bucket at full height(°)	103
	L. Wheelbase(mm)	801
	M. Ground clearance(mm)	145
	N. Angle of departure(°)	20
	O. Front turning radius without bucket(mm)	960
	P. Front tuning radius(mm)	1660
	Q. Rear tuning radius(mm)	1253
	R. Rear axle to bumper(mm)	910
	S. Tread width(mm)	785
	T. Width (mm)	920
U. Bucket width(mm)	1070	