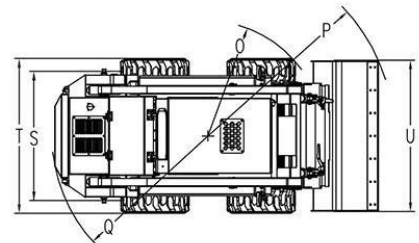
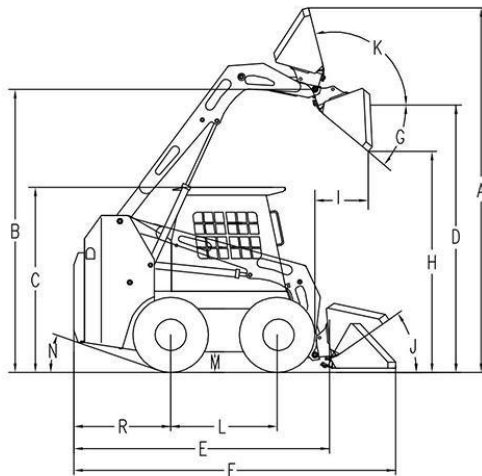


JC35 Skid Steer Loader

-  Mechanical control, closed cab, A/C.
-  Option: Hydraulic control



	Model	JC35
Performance	Operating weight(kg)	2600
	Rated load(kg)	500
	Bucket capacity(m ³)	0.3
	Max Speed(km/h)	10

	Max traction(kN)	≥16
	Max breakout (kN)	≥8.5
	Lifting time of boom(s)	7
Engine	Manufacturer	Xinchai
	Model	4D27ZG32
	Rated power (kW/rpm)	48/2600
	Engine displacement(L)	2.67
	Emission Standard	Stage 3
Dimension	A. Overall operating height(mm)	3300
	B. Height to bucket hinge pin(mm)	2425
	C. Height to top of cab(mm)	2000
	D. Height to bottom of level bucket(mm)	2260
	E. Without bucket length(mm)	2300
	F. Overall length with bucket(mm)	2950
	G. Dumping angle at maximum height(°)	40
	H. Dumping height(mm)	2000
	I. Dumping reach(mm)	690
	J. Rollback of bucket on ground(°)	30
	K. Rollback of bucket at full height(°)	104
	L. Wheelbase(mm)	897
	M. Ground clearance(mm)	140
	N. Angle of departure(°)	20
	O. Front turning radius without bucket(mm)	1310
	P. Front tuning radius(mm)	1881
	Q. Rear tuning radius(mm)	1296
	R. Rear axle to bumper(mm)	964
	S. Tread width(mm)	1080
	T. Width (mm)	1400
U. Bucket width(mm)	1422	