
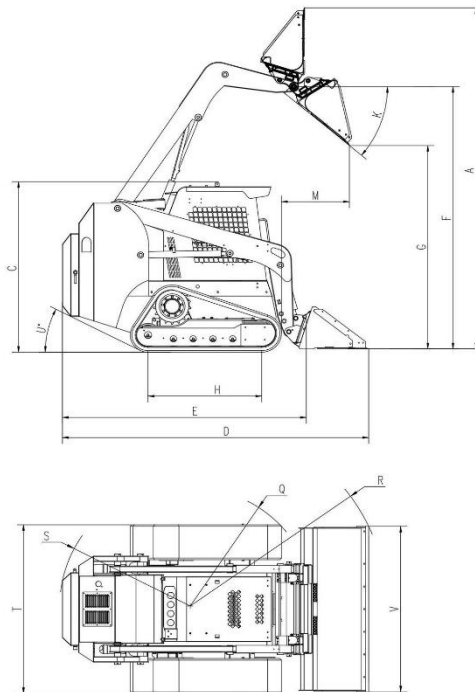


TS100 Skid Steer Loader

 Hydraulic control, high-low speed, closed cab, high-flow pump, A/C.



	Model	TS100
Performance	Operating weight(kg)	4800
	Rated load(kg)	1200
	Bucket capacity(m ³)	0.6

	Max Speed(km/h)	12/18
	Max traction(kN)	>30
	Max breakout(kN)	≥20
	Lifting time of boom(s)	7
Engine	Manufacturer	Weichai
	Model	WP4.1
	Rated power (kW/rpm)	74/2200
	Engine displacement(L)	4.088
	Emission Standard	Stage 3
Dimension	A. Overall operating height(mm)	4070
	B. Height to bucket hinge pin(mm)	3150
	C. Height to top of cab(mm)	2160
	D. Height to bottom of level bucket(mm)	2983
	E. Without bucket length(mm)	3000
	F. Overall length with bucket(mm)	3795
	G. Dumping angle at maximum height(°)	40
	H. Dumping height(mm)	2450
	I. Dumping reach(mm)	700
	J. Rollback of bucket on ground(°)	30
	K. Rollback of bucket at full height(°)	104
	L. Wheelbase(mm)	1500
	M. Ground clearance(mm)	200
	N. Angle of departure(°)	20
	O. Front turning radius without bucket(mm)	1365
	P. Front tuning radius(mm)	2439
	Q. Rear tuning radius(mm)	1617
	R. Rear axle to bumper(mm)	938
	S. Tread width(mm)	1654
	T. Width (mm)	1994
U. Bucket width(mm)	2030	